

**SANYO**

---

**RM-CD23**

**Instruction Manual**

**Receives AM/FM Broadcast**

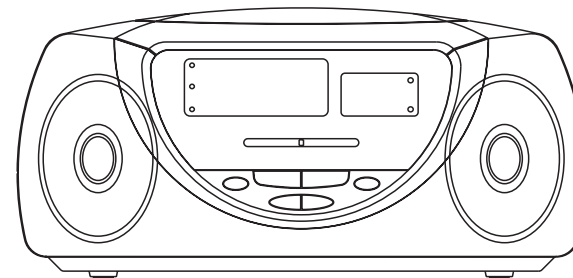
**CD player with repeat, random & programmed play**

**Snooze alarm function**

**LED displays and indicators**

**Sleep timer**

**Battery back-up for clock (9-volt battery required)**



**SANYO Canada Inc.**

[www.sanyocanada.com](http://www.sanyocanada.com)

## SAFETY TIPS

### CAUTIONS FOR SAFETY

Do not take the unit apart. The laser beam used in the unit could harm your eyes.

Do not insert pins or other objects inside the unit. This unit is equipped with a safety device which automatically turns the laser beam off when the disc compartment is opened. If a pin or other metal object should get inside the unit, however, this safety device may be deactivated.

Do not drop the unit or subject it to strong shocks. Doing so could result in damage.

### Do not place the unit in the following locations:

Locations where the temperature is high. The cabinet may warp or the unit may otherwise be damaged if it is placed in direct sunlight, near heaters (where the temperature is 140 F/60 C or greater) or in cars with the windows closed. (In the summer, the temperature may get as high as 212 F/110 C or more.)

Use the unit within a temperature range of 41 F/5 C to 95 F/35 C.

In humid or dusty locations.

In locations exposed to heavy vibrations. On unstable or tilted surfaces.

### CONDENSATION

If cold water is poured into a glass, water droplets form on the outside of the glass.

This is called condensation. Condensation may occur on internal operating parts of the laser pickup.

### CONDENSATION OCCURS:

When the unit is brought from the outdoors into a warm room, or if it is in a cold room which is heated quickly.

In the summer, if the unit is moved suddenly from an air-conditioned room or car to a hot or humid location.

### SHOULD CONDENSATION OCCUR:

The unit may not operate properly if condensation occurs. Wait for 1 to 2 hours (to allow the internal parts to adjust to the surrounding temperature) before using the unit.

## SAFETY TIPS

### LASER SAFETY

THIS SET EMPLOYS AN OPTICAL LASER BEAM SYSTEM IN THE CD MECHANISM, DESIGNED WITH BUILT-IN SAFEGUARDS. DO NOT ATTEMPT TO DISASSEMBLE. EXPOSURE TO THIS INVISIBLE LASER LIGHT BEAM MAY BE HARMFUL TO THE HUMAN EYE. THIS IS A CLASS-1 LASER PRODUCT. USE OF CONTROLS, ADJUSTMENTS OR PROCEDURES OTHER THAN THOSE SPECIFIED HEREIN, MAY RESULT IN HAZARDOUS LASER LIGHT BEAM EXPOSURE. THIS COMPACT DISC PLAYER SHOULD NOT BE ADJUSTED OR REPAIRED BY ANYONE EXCEPT QUALIFIED SERVICE PERSONNEL. THE LASER MECHANISM IN THE SET CORRESPONDS TO THE STYLUS (NEEDLE) OF A RECORD PLAYER. ALTHOUGH THIS PRODUCT USES A LASER PICK-UP LENS, IT IS COMPLETELY SAFE WHEN OPERATED ACCORDING TO DIRECTIONS.

### SAFETY INSTRUCTIONS



The lightning flash and arrow head within the triangle is a warning sign alerting you of "dangerous voltage" inside the product.

### CAUTION

**RISK OF ELECTRIC SHOCK  
DO NOT OPEN**

CAUTION: TO REDUCE THE RISK OF ELECTRIC SHOCK, DO NOT REMOVE COVER (OR BACK). NO USER SERVICEABLE PARTS INSIDE. REFER SERVICING TO QUALIFIED SERVICE PERSONNEL.



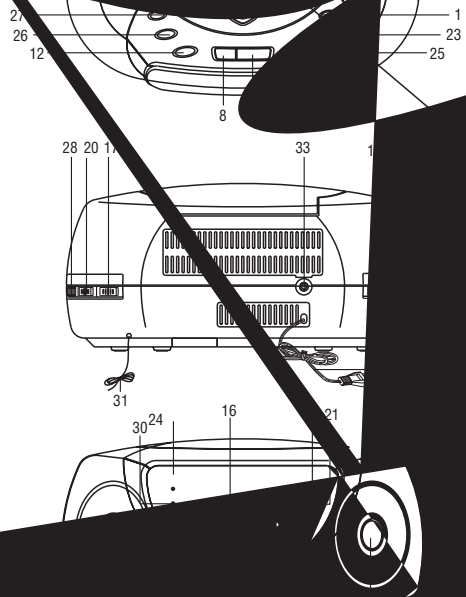
The exclamation point within the triangle is a warning sign alerting you of important instructions accompanying the product.

**WARNING: TO PREVENT FIRE OR SHOCK HAZARD, DO NOT EXPOSE THIS APPLIANCE TO RAIN OR MOISTURE.**

Do not apply oil or petroleum products or solvents to any part of this set.

### CAUTION:

Invisible laser radiation when open and interlocks defeated. Avoid exposure to beam.



- 1. CD DOOR
- 2. BAND SWITCH
- 3. CD REPEAT INDICATOR
- 4. SEARCH BUTTON (◀◀)
- 5. REVERSE/SEARCH BUTTON (▶▶)
- 6. STOP/PAUSE BUTTON
- 7. ARM OFF/SLEEP OFF BUTTON
- 8. PLAY/PAUSE BUTTON
- 9. CD DOOR
- 10. CD DOOR
- 11. SPEAKERS
- 12. ALARM SET BUTTON
- 13. ALARM SELECTOR SWITCH  
(1, 2, OR BOTH 1+2)
- 14. MODE SWITCH
- 15. CLOCK DISPLAY
- 16. TUNING SCALE
- 17. MEMORY SWITCH
- 18. PM INDICATOR (OPTIONAL)
- 19. CD TRACK DISPLAY
- 20. BAND SWITCH
- 21. CD REPEAT INDICATOR
- 22. CD PLAY/PROGRAM INDICATOR
- 23. FORWARD TIME BUTTON
- 24. ALARM INDICATOR 1
- 25. REVERSE TIME BUTTON
- 26. TIME SET BUTTON
- 27. SLEEP BUTTON
- 28. TUNING CONTROL
- 29. VOLUME CONTROL
- 30. ALARM INDICATOR 2
- 31. FM ANTENNA WIRE
- 32. AC PLUG
- 33. PHONE JACK
- 34. BATTERY COMPARTMENT

Slide the Function switch to RADIO position.  
Set the Band switch to the desired band.  
Rotate the Tuning control to the desired station.  
Adjust the Volume control to a comfortable listening sound level.

For AM band, better reception may be obtained by rotating the set. For FM band, the FM Antenna Wire (thin black wire) which serves as FM antenna, must be stretched to its full length. The radio can be switched off by setting the Function switch to OFF.



- Always protect a disc against scratches, soil and dust etc. It is recommended that during non-use periods the discs should be retained in the original case. If a disc is treated with reasonable care, the only maintenance likely to be needed to retain the excellent sound reproduction is to wipe it with a cloth as indicated.
- Handle a disc in one of the two illustrated. (Do not touch the rainbow - colored side)
- To wipe a disc, use only a soft cloth. Do not use benzene or thinner which will damage the disc. The disc should always be wiped in a straight line from the center to the edge. It should never be wiped in a circular motion.
- Never place the disc on other equipment or near any heat source. Avoid positions where the disc would be subjected to direct sunlight for long periods.

## PLAYING A CD

Set the Function switch to CD position. Press the Open button to open the CD Door, and place and center a CD with the printed side up into the CD compartment.

Press the right lower corner of the CD door to close the lid, the disc will rotate and the LED Display will show the disc's total number of tracks.

Press the CD Play/Pause Button:

- Press once to play the first track.
- Press this button in play mode, the playback will be paused. To resume playback from the same point, press the button again.

To backward skip and forward skip the track, Press the CD Skip/Search button (◀◀ or ▶▶) during play to skip to the desired track. Press the CD Forward Skip/Search button (▶▶) to skip to the next track on the disc. Press the CD Backward Skip/Search button (◀◀) to skip to the beginning of the track currently playing.

- Press and hold the CD Skip/Search button (◀◀ or ▶▶) during play to scan the disc at high speed. When the desired section of the disc is found, release the buttons; normal play will resume.

Press the Program/Repeat button during play:

- Press once to repeat the track (song) currently played, The repeat indicator will come on.
- Press twice to repeat all the tracks (songs) on the disc, The repeat indicator will flash on and off.
- Press a third time to exit repeat play mode.

Press Stop button to stop CD playing.

## RANDOM PLAY

Tracks on the disc can be played in random order. Press Random button during playback. After the current track is finished, the unit will play tracks in random order until all tracks are played, and then stop.

During random play, the current track number and random symbol will flash repeatedly to indicate random play is in progress.

## PROGRAM PLAY

### PROGRAM BUTTON

Tracks on the disc can be played in the desired pre-set order.

Press the CD Program/Repeat button in stop mode. "P0" will be shown in the display.

Select the desired track by using CD Skip/Search button (◀◀ or ▶▶).

Press CD Program/Repeat button again to store the first track into memory. The Display will show "P1".

Repeat steps 2 to 3 to program additional tracks; up to 16 tracks can be programmed in sequence.

**Note:** When the 10th track is programmed, the display shows "P9". When more than 10 tracks are entered, the display will show P0, P1, P2, P3, P4, P5 and P6 indicating 11, 12, 13, 14, 15 and 16th track.

Press the CD Play/Pause button to start the programmed play. The Display will show the track number being played, and the Play/Program indicator will remain flashing during programmed play.

All tracks will play in the order you programmed. If in middle of play if you want to hear the next programmed track, press the Skip/Search button (▶▶). When all the songs have finished, the set will stop.

**Note:** Programming can only be done when the CD is in the stop mode.

## TO SET CLOCK TIME

Press and hold Time Set button.  
While holding down Time Set button, press Forward button or Reverse button until desired time is displayed.  
Release these buttons when the desired time is reached.

**Note:** A green dot (PM Indicator) in the lower right corner indicates PM time. This is optional for 12-hour version.

**Note:** When setting time, be careful not to touch Snooze and/or Sleep button. Touching these buttons will change the time.

## TO SET ALARM TIME

This set has dual alarms. You may set Alarm 1, to wake you at a certain time, or Alarm 2, to wake you at a different time, or Alarm 1+2 to wake you at both of these times.

This feature is useful for couples waking up at different times or a person who likes to wake up at different times during week days and weekends or holidays.

To set Alarm 1, slide the Alarm selector to position 1.

To set Alarm 2, slide the Alarm selector to position 2.

Press and hold down Alarm Set button and Forward (or Reverse) button till you reach the wake up time you want. Pressing Alarm Set button, Forward(or reverse) button (2 at once) will quickly advance the time. When you reach the proper time, release all buttons.

**Note:** To check alarm time, press Alarm Set button. The display will show alarm time.

To wake at Alarm 1 time, slide Alarm selector to position 1; To wake at Alarm 2 time, slide Alarm selector to position 2; To wake at both time, slide to Alarm 1+2.

**Note:** When setting time, be careful not to touch Snooze and/or Sleep button. Touching these buttons will change the time.

## WAKE TO ALARM

Set the proper alarm time or check if the pre-set alarm time is correct by pressing the Alarm set button.

Slide the Mode Switch to ALARM position.

Buzzer will sound at the pre-set alarm time.

Press the Alarm Off button to turn off the alarm.

## WAKE TO RADIO

Turn radio on (slide Function switch to RADIO) and adjust the Tuning and Volume control.

Set the proper alarm time or check if the pre-set alarm time is correct by pressing the Alarm set button.

Slide the Alarm Mode switch to AUTO.

■ The radio will start playing automatically at the set alarm time.

## WAKE TO CD MUSIC

Open CD Door by pressing CD Open button and place and center a CD into the CD compartment.

Slide the Function switch to CD.

Set the proper alarm time or check if the pre-set alarm time is correct by pressing the Alarm set button.

Slide the Mode switch to AUTO.

■ The CD will then start playing from the first track at the pre-set alarm time.

## SNOOZE

To sleep an extra 6 to 7 minutes when the Radio/CD comes on, lightly touch the Snooze button, the radio or alarm or CD will stop for 6 to 7 minutes and come on again. (This button works as described above only when the Mode switch is set to AUTO or ALARM position.)

## GOING TO SLEEP WITH MUSIC

Pressing the Sleep button will play your Radio/CD music for the amount of time you pre-set and then turn off automatically.

Press and hold the Sleep button, the display will show 59 minutes.

While holding the Sleep button, press the Forward or Reverse button till you reach the desired amount of time you want the radio/CD to play (or press Sleep button alone to have 59 minutes of music).

Release both buttons. The radio/CD will play for the time you selected and shut itself off automatically.

**Note:** When going to sleep, make sure Mode switch is set to AUTO or ALARM for the wake function to come on in time.

Slide the Mode switch to ON position to deactivate all other extra functions except CD and radio playing.

## POWER FAILURE

When AC power is interrupted, both time and alarm settings will change (unless 9 volt optional battery was installed) after power is restored. The digital display will blink to show your power was interrupted. You must reset time and alarm times.

## BATTERY BACK UP

To keep alarm time and time of day settings in memory during a brief power failure, or accidental unplugging of AC power cord install a 9V battery (optional) into the Battery Compartment on bottom.

## CLEANING THE PICKUP LENS

Dust on the pickup lens can lead to erratic operation and interruption of the sound during play.

To clean the pickup lens, open the disc compartment. Blow the dust off the lens using a camera lens blower (available at most camera stores). Do not touch the surface of the lens.

## CLEANING THE CABINET

Use a soft cloth moistened with plain lukewarm water and wrung dry. Never use benzol, benzene or other strong chemical cleaners, since these could damage the finish. It is important that no liquid reaches the inside of the unit.

## SANYO COMFORT WARRANTY AUDIO PRODUCTS

### WARRANTY APPLICATION

New, unused Sanyo Audio products purchased through a Sanyo authorized dealer in Canada are warranted against manufacturing defects in materials and workmanship for ONE YEAR from the date of purchase by the original retail purchaser. This warranty only applies in favour of the original retail purchaser of the warranted product.

### SANYO CANADA INC.'S RESPONSIBILITY

During the warranty period, SANYO Canada Inc. will repair, or at our option, replace an Audio product which shows evidence of a manufacturing defect in materials or workmanship. Replacement PARTS are warranted for the remaining portion of the warranty period.

### WHAT IS NOT COVERED

Audio products purchased outside Canada.  
Audio products purchased in a used condition.  
Problems due to product set-up and installation.  
Adjustments that are outlined in the Operating Manual.  
Accessory items including antenna, batteries and cassette tapes.  
Damage in or due to transportation.  
Damage due to improper maintenance, improper wiring, accident, abuse, misuse or negligence.  
Damage caused by lightning and power surges.  
The cost of removal and re-installation of an Audio product designed for automobile use.

### ORIGINAL, RETAIL PURCHASER'S RESPONSIBILITY

You, the original retail purchaser, must present your original, dated bill-of-sale together with this warranty to SANYO Canada Inc. or to an authorized Sanyo Service Depot when you make a claim under this Warranty.

You, the original retail purchaser, are responsible for any costs of TRANSPORTING the product to and from SANYO Canada Inc. or an authorized Sanyo Service Depot. You also are responsible for the cost of any MAINTENANCE necessary in respect of the product.

### WARRANTY BECOMES VOID

This warranty becomes void if the product's serial numbers are altered or removed or if any repair to the product is made other than by SANYO Canada Inc. or by an authorized Sanyo Service Depot.

### LIMITATIONS

SANYO Canada Inc. reserves the right to change or improve the design of the model of the product warranted hereunder without incurring any obligation to make any modifications to or to install any improvement in or on the product.

In no event shall SANYO Canada Inc. or any of its Authorized Dealers be liable for special or consequential damage arising from the use of this product.

### STATUTORY WARRANTIES

The above provisions do not preclude the operation of any applicable provincial statute which in certain circumstances may not allow some of the limitations and exclusions described in this Warranty. Where any terms of this Warranty are prohibited by such a statute, they shall be deemed null and void but the remainder of this warranty shall remain in effect.

### HOW TO OBTAIN WARRANTY SERVICE

Please contact the Sanyo Authorized Dealer from whom the product was purchased, or contact us directly at:

SANYO Canada Inc.  
1-300 Applewood Cres.  
Concord, Ont. L4K 5C7  
(905) 760-9944  
1-800-263-2244

IB03735